

Adjustable Stainless Steel-Tension levers

SPECIFICATION

Type

- Type **E**: angled lever
 Stainless Steel AISI 303
 Hub and shaft matt shot-blasted
 Ball knobs DIN 319 (see page 538)
 Plastic, Duroplast
 black, shiny finish

INFORMATION

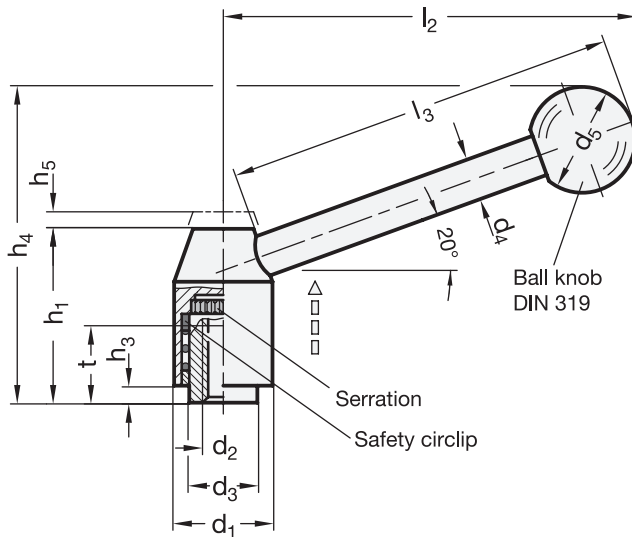
Adjustable tension levers GN 212.5 have proved to be ideal whenever parts have to be clamped in a confined space or a particular lever position is required. The threaded insert is connected with the hub via serrations which can be disengaged. Pulling the lever, disengages the serrations and allowing it to be swivelled to the ideal clamping position. On releasing the lever it will automatically re-engage.

ON REQUEST

- straight lever (90°)

TECHNICAL INFORMATION

- Stainless Steel characteristics (see page A26)

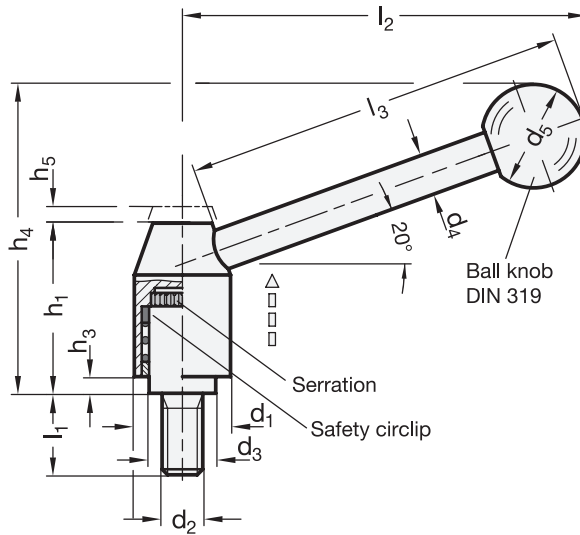


GN 212.5-with threaded insert

STAINLESS STEEL

Description	d1	d2	d3	d4	d5	h1	h3	h4	h5	l2	l3 ≈	t min.	△
GN 212.5-21-M6-E	21	M 6	13.5	8	20	33.5	1	59	4	75	70	11	97
GN 212.5-21-M8-E	21	M 8	13.5	8	20	33.5	1	59	4	75	70	11	93
GN 212.5-24-M8-E	24	M 8	16	10	25	40	2.5	75	4.5	101	96	14	170
GN 212.5-24-M10-E	24	M 10	16	10	25	40	2.5	75	4.5	101	96	14	161
GN 212.5-28-M10-E	28	M 10	19	12	30	48.5	4.5	89	4.5	116	110	17	261
GN 212.5-28-M12-E	28	M 12	19	12	30	48.5	4.5	89	4.5	116	110	17	258





GN 212.5-with threaded stud

STAINLESS STEEL

Description	d1	d2	l1	d3	d4	d5	h1	h3	h4	h5	l2	l3 ≈	△
GN 212.5-21-M8-16-E	21	M 8	16	13.5	8	20	33.5	1	59	4	75	70	104
GN 212.5-21-M8-20-E	21	M 8	20	13.5	8	20	33.5	1	59	4	75	70	105
GN 212.5-21-M8-25-E	21	M 8	25	13.5	8	20	33.5	1	59	4	75	70	107
GN 212.5-21-M8-32-E	21	M 8	32	13.5	8	20	33.5	1	59	4	75	70	107
GN 212.5-21-M8-40-E	21	M 8	40	13.5	8	20	33.5	1	59	4	75	70	112
GN 212.5-21-M8-50-E	21	M 8	50	13.5	8	20	33.5	1	59	4	75	70	114
GN 212.5-21-M8-63-E	21	M 8	63	13.5	8	20	33.5	1	59	4	75	70	119
GN 212.5-24-M10-20-E	24	M 10	20	16	10	25	40	2.5	75	4.5	101	96	173
GN 212.5-24-M10-25-E	24	M 10	25	16	10	25	40	2.5	75	4.5	101	96	175
GN 212.5-24-M10-32-E	24	M 10	32	16	10	25	40	2.5	75	4.5	101	96	178
GN 212.5-24-M10-40-E	24	M 10	40	16	10	25	40	2.5	75	4.5	101	96	182
GN 212.5-24-M10-50-E	24	M 10	50	16	10	25	40	2.5	75	4.5	101	96	188
GN 212.5-24-M10-63-E	24	M 10	63	16	10	25	40	2.5	75	4.5	101	96	195
GN 212.5-24-M10-80-E	24	M 10	80	16	10	25	40	2.5	75	4.5	101	96	202
GN 212.5-28-M12-25-E	28	M 12	25	19	12	30	48.5	4.5	89	4.5	116	110	295
GN 212.5-28-M12-32-E	28	M 12	32	19	12	30	48.5	4.5	89	4.5	116	110	300
GN 212.5-28-M12-40-E	28	M 12	40	19	12	30	48.5	4.5	89	4.5	116	110	305
GN 212.5-28-M12-50-E	28	M 12	50	19	12	30	48.5	4.5	89	4.5	116	110	310
GN 212.5-28-M12-63-E	28	M 12	63	19	12	30	48.5	4.5	89	4.5	116	110	322
GN 212.5-28-M12-80-E	28	M 12	80	19	12	30	48.5	4.5	89	4.5	116	110	333



3
Clamping levers